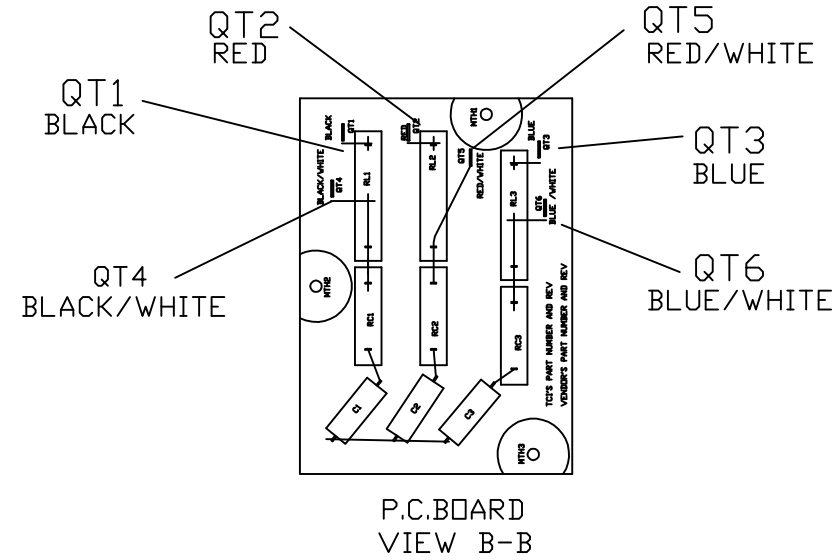
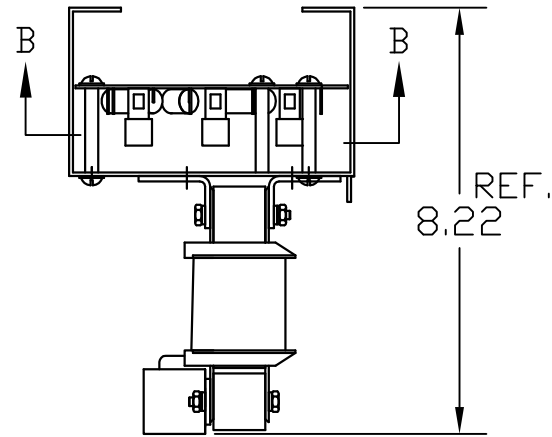
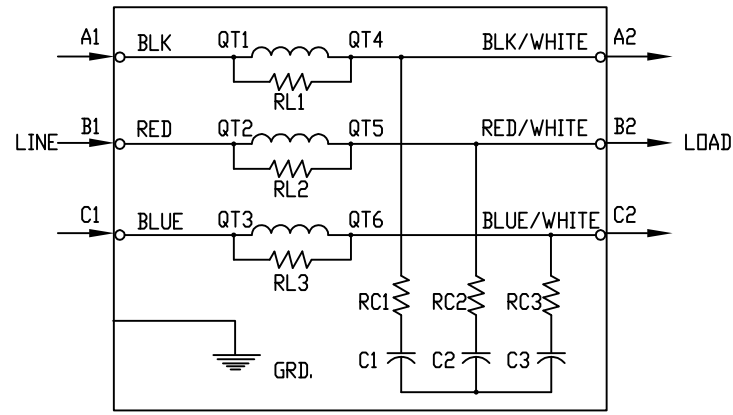
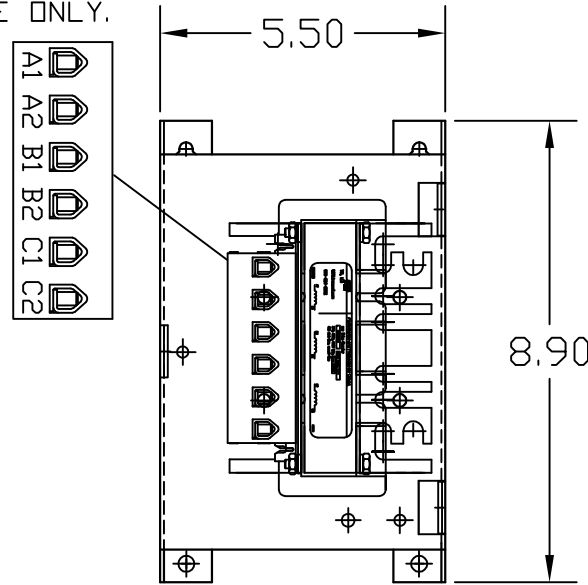
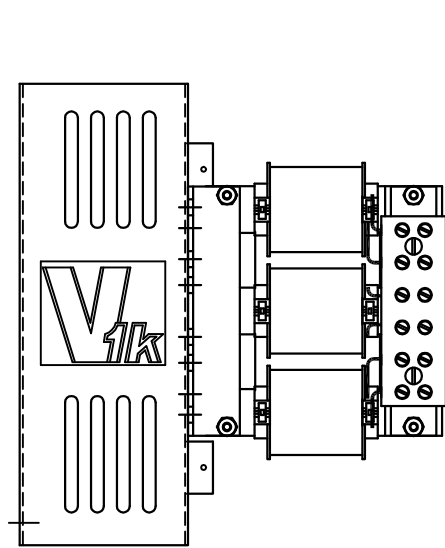


"SEE V1K INSTALLATION GUIDE FOR TERMINAL WIRE SIZE AND TORQUE"

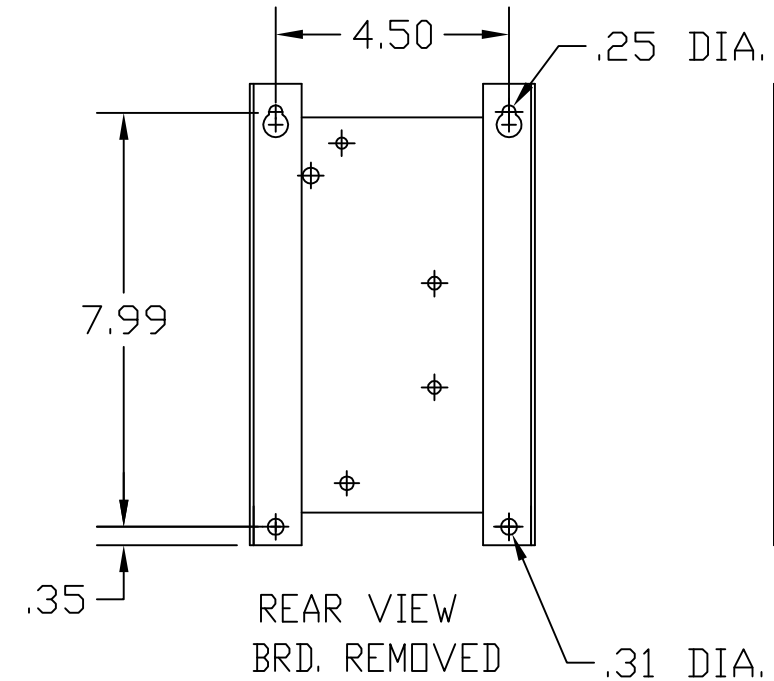
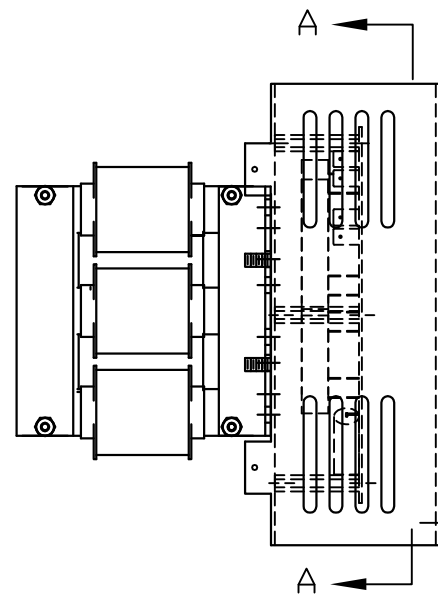


SPECIFICATIONS:	
AMP.	21
VOLT	240-600
PHASE	3
HZ	60
WEIGHT, LBS.	12
OPEN VERSION	

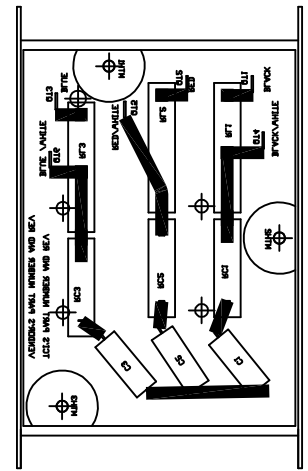
MARKINGS ON TERMINAL BLOCK
A1,A2,B1,B2,C1,C2 FOR REFERENCE ONLY.



FRONT VIEW



REAR VIEW
BRD. REMOVED



SECTION A-A

TOLERANCE UNLESS OTHERWISE NOTED:	
MOUNTING	+/- .06
OVERALL	+/- .12

CUSTOMER IS RESPONSIBLE FOR INSTALLATION TO MEET ALL NATIONAL AND LOCAL ELECTRICAL CODES.

TCI, LLC CLAIMS PROPRIETARY RIGHTS IN THE MATERIAL HEREIN DISCLOSED. IT IS SUPPLIED WITHOUT PREJUDICE TO ANY PATENT RIGHTS OF TCI AND MAY NOT BE REPRODUCED OR USED TO MANUFACTURE ANYTHING SHOWN THEREIN WITHOUT WRITTEN PERMISSION FROM TCI.				TOLERANCES (EXCEPT AS NOTED): DECIMAL .XX ± .03 .XXX ± .01 FRACTIONAL ± 1/32 ANGULAR ± 1/2°	W132 N10611 GRANT DRIVE GERMANTOWN, WI 53022 V1K21A00, OUTPUT FILTER 21 AMP, OPEN VERSION
	3216	ADD SEE GUIDE	12/6/2014	DSW	
	NO	REVISION	DATE	BY	
	SCALE NONE SIZE B				
				DRN. BY: RJC	DATE: 2/1/05
				DWG. NO. 102725DG	
				SHT. 1 OF 1	